

**ODP-315 Two-side
transverse cutter**



Technical details:

Main engine 2 x 2,2 kW

Installed power 5,8 kW

Saw 315 mm

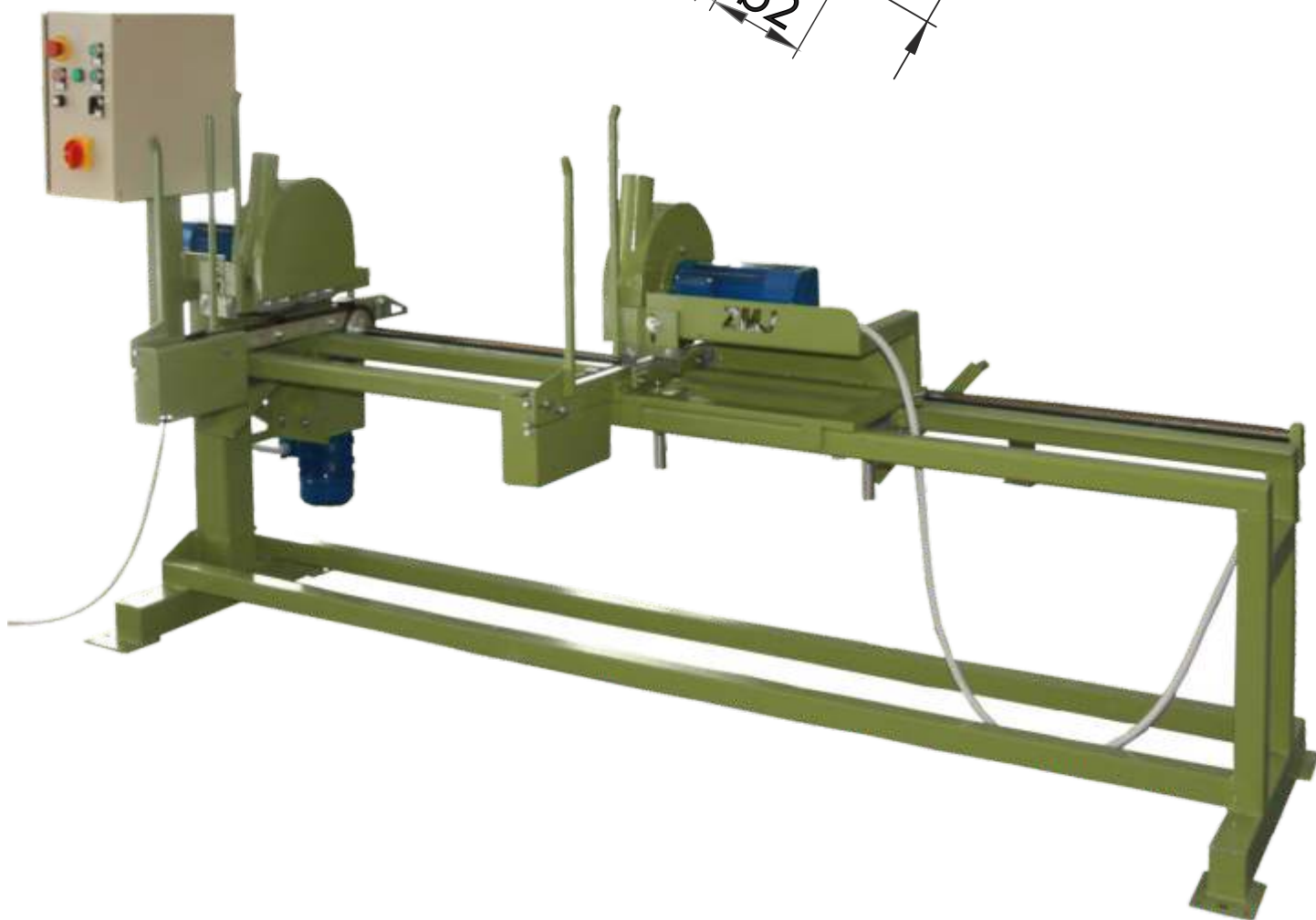
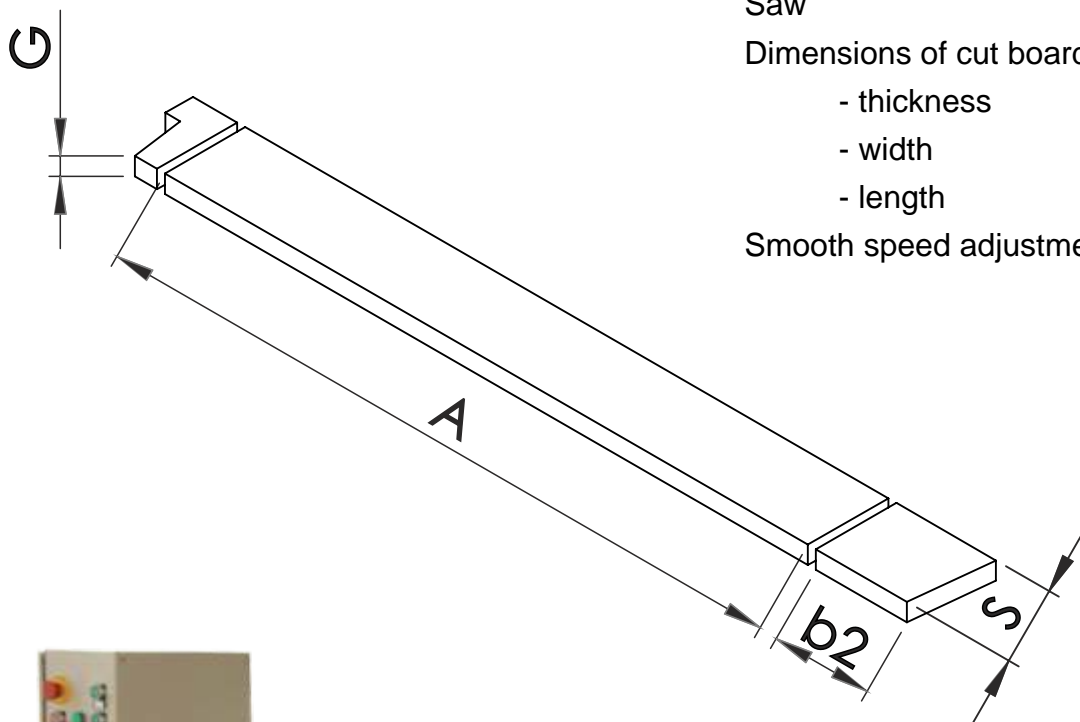
Dimensions of cut boards:

- thickness 10 - 40 mm

- width 40 - 200 mm

- length 30 - 140 cm

Smooth speed adjustment



Machines for the sawmill industry