

OW-35 Cutter

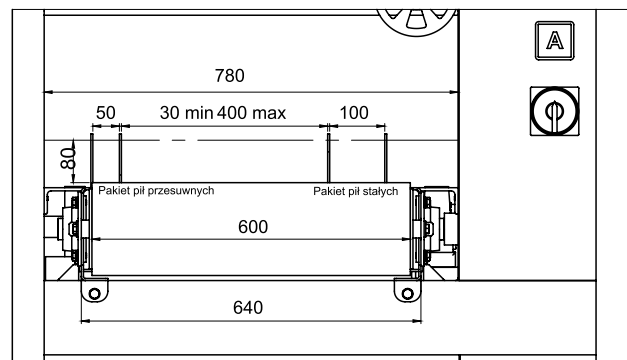
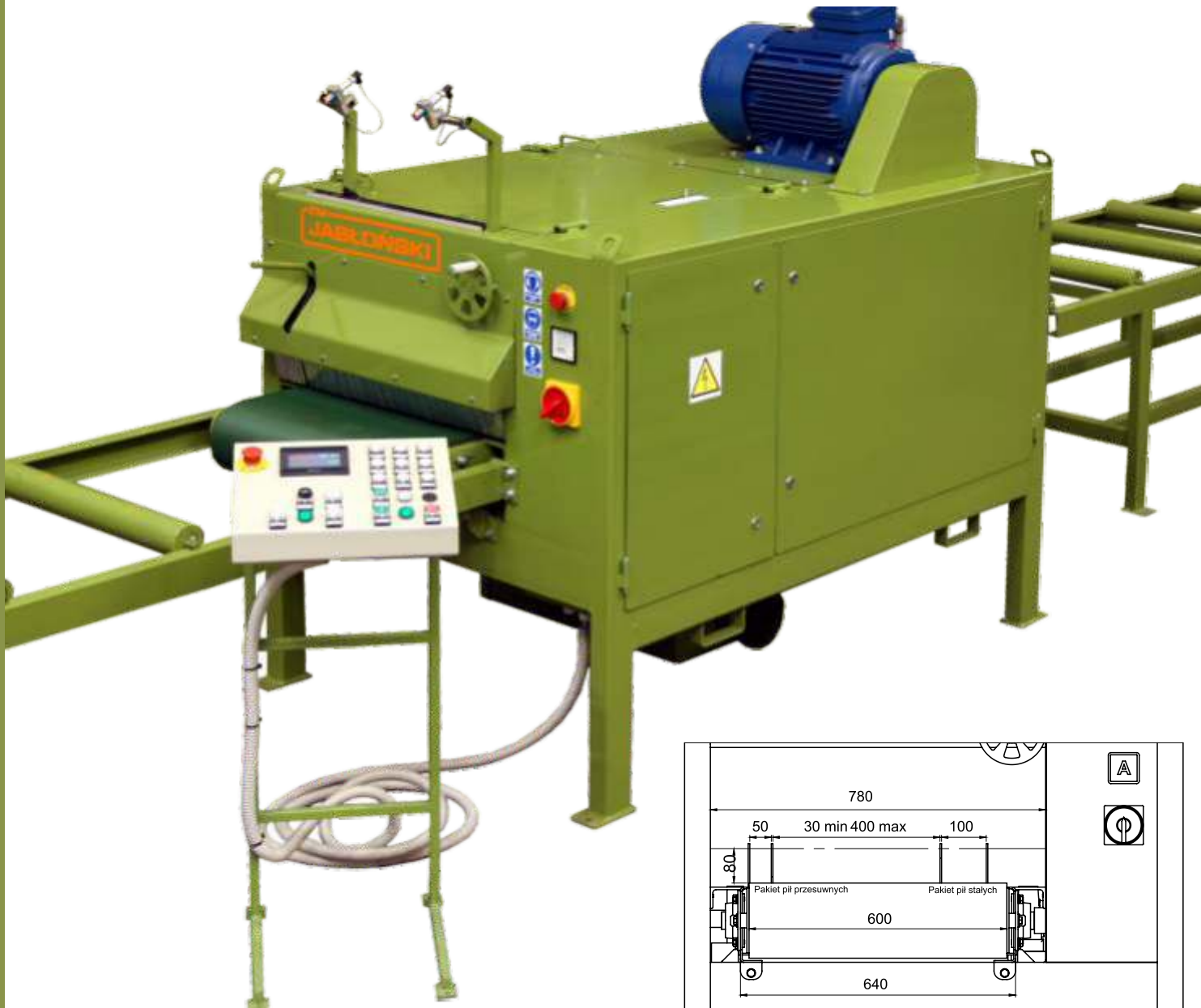


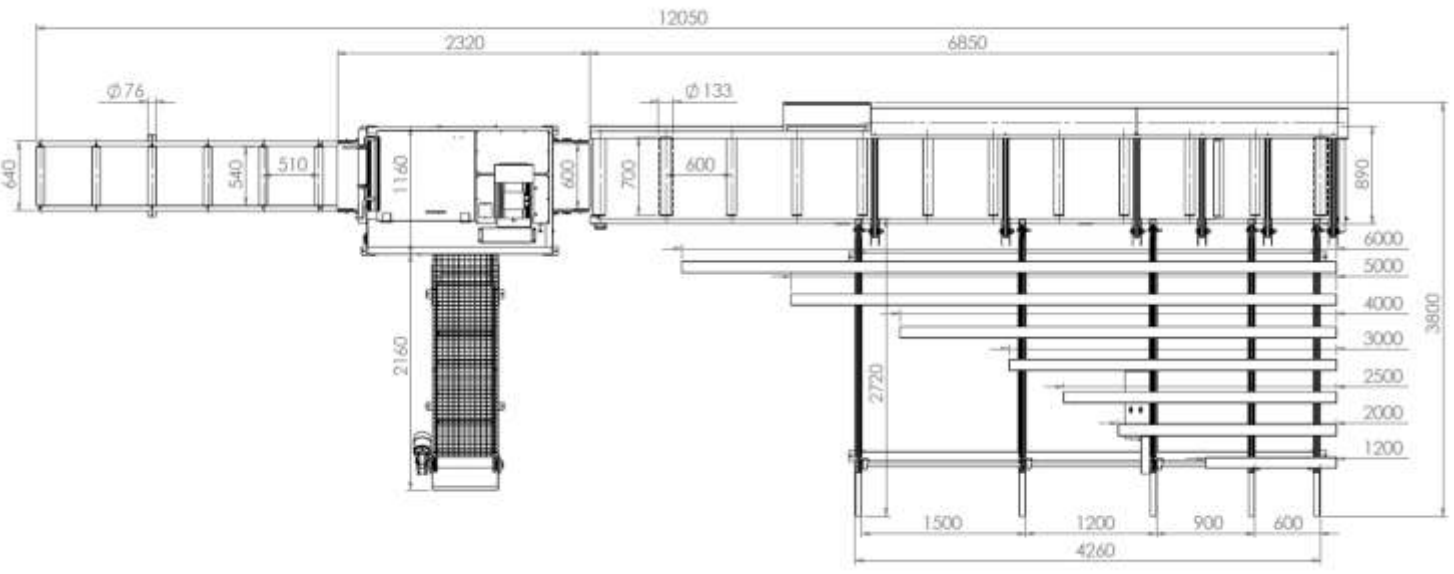
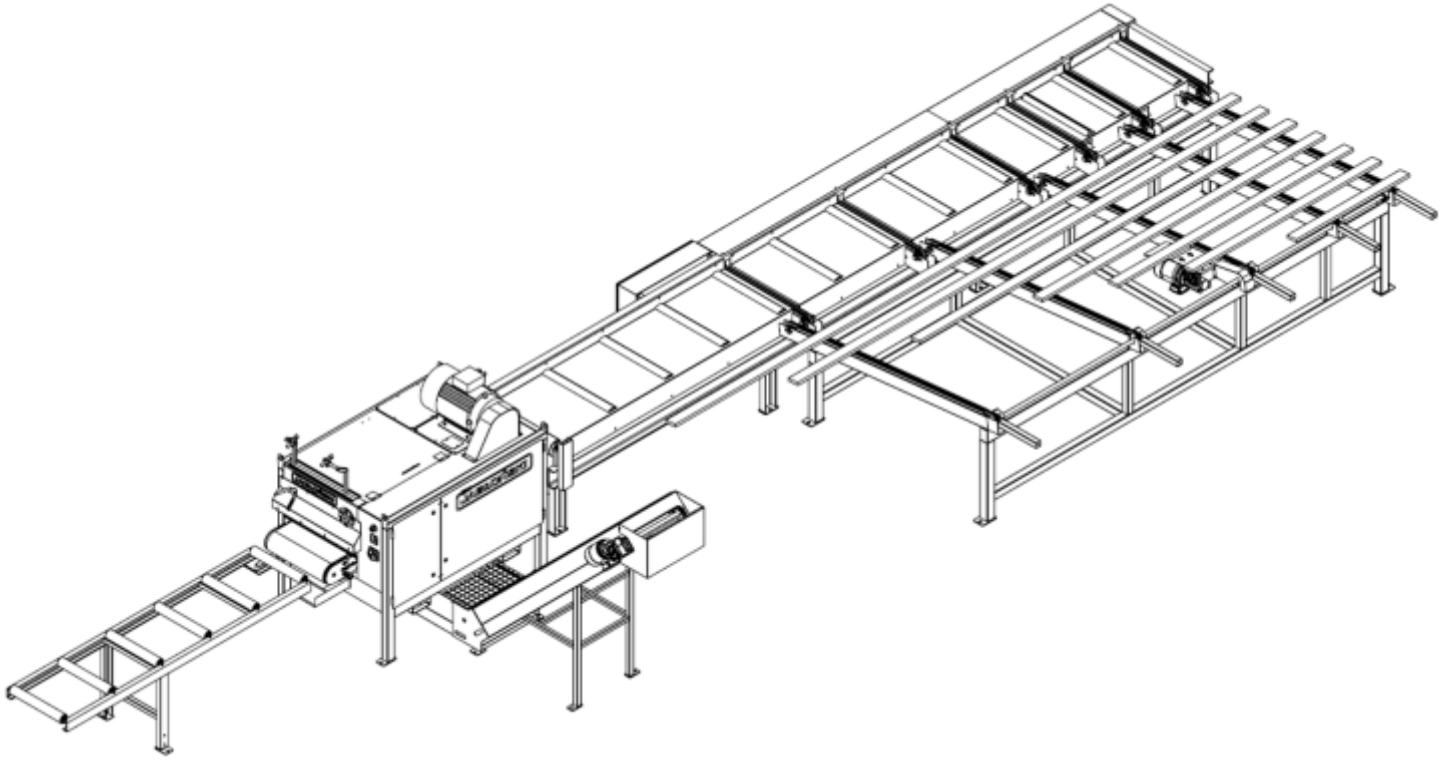
Technical details:

Cutting height	16 - 80 mm
Feeding mouth	78 cm
Max. spreading width	40 cm
Min. width	3 cm
Max. number of saws	15
Saw diameters	350 mm

Main engine	11 - 37 kW
Drive speed	10 - 60 m/min.

Saw extension system with programmable buttons and automatic rounding of cutting dimension.





Machines for the sawmill industry